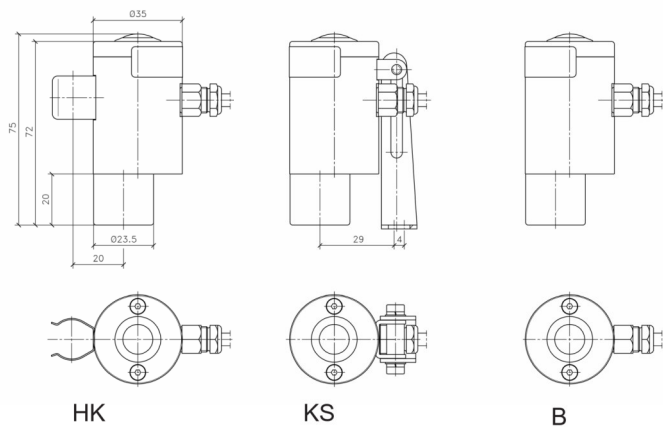


Sight glass luminaire ESL 51-LED
with hinged bracket for general use, special strele version for flange attachment



Application

- For illuminating the interior of vessels, tanks, agitators, silos and other closed containers and reactors and also in visual flow indicators in non-explosive environments.
- ESL 51-LED-HK: integrated fastening clip enables attachment to wiper
- ESL 51-LED-KS: with hinged bracketed for general use
- ESL 51-LED-B: with separate flange ports in connection with Metalgas Type 80.USL01

Operating conditions:

- Independent of vacuum/pressure in the vessel. Under no circumstances should a sight glass luminaire be used as a substitute for the cover flange or instead of the complete sight glass flange assembly, or on its own to close a vessel port.

Operating temperature

- Maximum admissible ambient temperature at the cable gland: 50°C

Materials:

- Body and head of luminaire: Stainless steel 1.4404
- Fastening elements: Stainless steel
- Connecting cable: 3 m (3 x 0.5 mm²?) factory-fitted, other lengths on request

Advantage

- Glare-free illumination; fits circular sight glass fittings similar to DIN 28120 / DIN 28121 as well as screwed sight glass fittings similar to DIN 11851 an other

Protection class:

- Dust-tight and water jet-proof:
IP 65 acc. to EN 60 529 / DIN VDE 0470 part 1

Tecniacial data:

- Circular sight glass fittings similar to DIN 28120: from DN 25
- Circular sight glass fittings similar to DIN 28121: from DN 40
- Visual flow indicators: from DN 25
- Screw-type sight glass fittings similar to DIN 11851: from DN 40

Operating voltage:

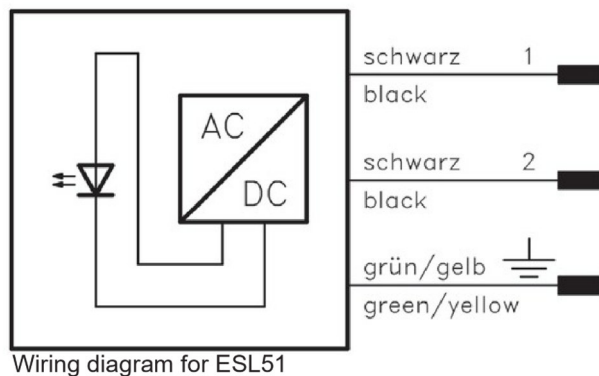
- 24 V AC/DC - 2.5 W
- Colour temperature: 5000 K
- Luminous flux: 180 lm
- Reflected beam angle: 26°

Transformers or power supplies AC/DC converters

- installing in a control cabinet are available on request:
- Transformer: 230 V AC - 24 V AC
- AC/DC converter: 230 V AC - 24 V DC

Type	Voltage/wattage	Pushbutton	Fastening element
ESL 51-LED-HK	24 V AC/DC – 2,5 W	with out	Clamp attachment
ESL 51-LED-HK	24 V AC/DC – 2,5 W	with	Clamp attachment
ESL 51-LED-KS	24 V AC/DC – 2,5 W	with out	Hinged bracket
ESL 51-LED-KS	24 V AC/DC – 2,5 W	with	Hinged bracket
ESL 51-LED-B	24 V AC/DC – 2,5 W	with out	Flange adapter
ESL 51-LED-B	24 V AC/DC – 2,5 W	with	Flange adapter

Sight Glass Luminaire ESL 51-LED - Installation and operating instructions



Important, please note:

- Sight glass luminaires are purpose-designed and are intended solely for mounting on sight glass fittings. Under no circumstances should a luminaire be utilised as a substitute for the cover flange or the complete sight glass flange fitting or used on its own to close a vessel port.
- These luminaires must always be installed, connected and serviced by persons who have been specially trained and are authorised to do this work. Caution: Avoid looking into the light source – risk of damage to the eyes!

Electrical data

- The voltage, output and protection class are specified on the type plate
- Excess voltage will cause the luminaire to fail prematurely
- The connecting cable (3 m) comes ready connected to the luminaire through the cable entry gland.
- The luminaire is internally wired and ready for use

General operating conditions:

- Maximum admissible ambient temperature at the cable gland: 50°C

Mechanical installation:

- In the case of the circular sight glass fitting and flow sight glass the luminaire is attached by the hinged bracket to the counter-flange;
- with the screw-type sight glass fitting it is mounted on the slotted cover nut.

When using the Lumiglas sight glass wiper unit SW I, the luminaire is attached to the wiper by a clip.

Maintenance:

- The luminaire should be kept clean and free of dust!
- Please use original replacement parts only!

Protection class:

- Dust-tight and water jet-proof:
IP 65 acc. to EN 60 529 / DIN VDE 0470 part 1

Transformers or power supplies AC/DC converters

- installing in a control cabinet are available on request:
- Transformer: 230 V AC - 24 V AC
- AC/DC converter: 230 V AC - 24 V DC