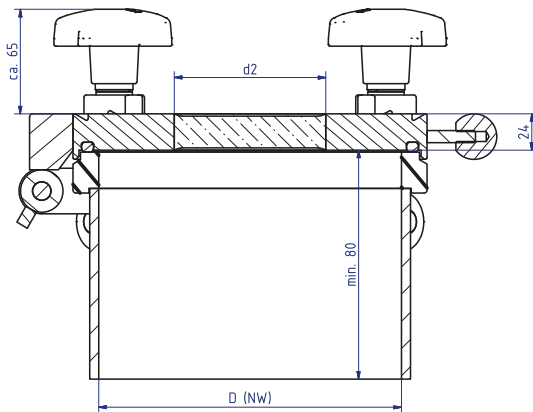


Pressure cover with integral METAGLAS® sight glass



Standard design and materials

- Contact parts: stainless steel 316Ti (1.4571) (316L optional)
- METAGLAS® top duplex stainless steel (1.4462) and borosilicate Glass similar to DIN 7080
- Fittings – stainless steel 304
- Silicone gasket (blue)
- With hinge and handles
- Glass-bead blasted surface finish

Options

- Special materials Hastelloy (C-22, C-4, C-276), 1.4435 BN2, 1.4539, 1.4529, Duplex 1.4462
- Alternative gasket materials (EPDM, Viton, FEP-silicone etc.)
- Surface finish: pickled, glass-bead blasted, ground up to Ra 0.2 μm
- Spring-assisted hinge
- Alternative neck lengths and wall thicknesses
- Swivel/Slide opening
- Optional handle types with stainless steel

Advantages

- Safety sight glass with extremely high resistance to damage by impact and vibration
- Approved by TÜV and ASME for use up to 12 bar (depending on nominal size)
- Complete reliability against total failure of sight glass
- Long service life
- Exceptional polished finish up to Ra<0.2μm

Material certificates

- Certificate of Conformity to EN 10204-3.1 or 3.2 for extra costs

Approvals and technical data

- Pressure Equipment Directive 2014/68/EU,
- Module H (DIN/EN/ISO 9001)
- AD2000 Standards W0/TRD 100
- Sight glass fused to metal conforming to DIN 7079
- Materials to VdTÜV specifications and the DIN/EN designated standards
- Glass: borosilicate to DIN 7080 / DIN 7079

Nominal size	d2	Max. operating Pressure	Max. operation Temperature(°C)	Mounting holes	Overall Height(A)	Weight (kg)
100	60	4	280	4	240	13
100	60	12	280	4	240	14
150	75	4	280	4	240	15
150	75	10	280	4	240	15
200	100	4	280	4	245	18
200	100	10	280	4	245	19
250	125	4	280	4	250	25
250	125	8	280	4	250	26
300	150	4	280	4	250	27
300	150	6	280	6	250	30