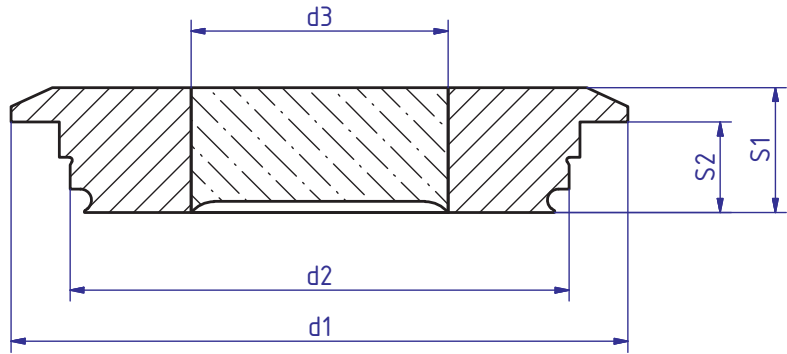
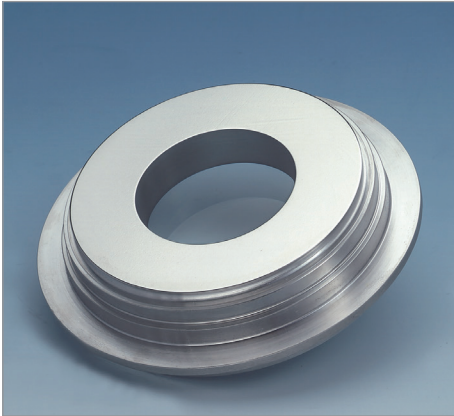


METAGLAS® Sight glass for VARIVENT®-In-Line Fittings



Applications

- VARIVENT® In-Line flanges
- VARIVENT® In-Line housings

Advantages

- Housing free of dead zones, no domes or pools
- Pre-determined distortion of O-Ring by metal contact faces
- Suitable for CIP and SIP treatment
- Security against total failure
- Long operating life
- Crevice free seal

Technical data

- Manufactured and tested to:
- Directive for pressure equipment 2014/68/EU, Module H (DIN/EN/ISO 9001)
- AD2000 Standards W0/TRD 100
- Sight glass fused to metal conforming to DIN 7079
- Materials to VdTÜV specifications and the DIN/EN designated standards
- Glass: Borosilicate to DIN 7080 / DIN 7079

Material certificates

Certificate of Conformity EN 10204-3.1 (or 3.2 for extra costs)

- Operating conditions
- Pressure: 25 bar
- Temperature: see table

Ring materials	Temperature (TS)
1.4462	-30°C bis +280°C
2.4602	-60°C bis +300°C
2.4605	-60°C bis +300°C
2.4610	-60°C bis +300°C

Process connections		d1	d2	d3	S1	S2	O-Ring
F	VARIVENT DN 25, 1" OD und 25 ISO	66	49,90	25	19	12,2	42 x 3,0
N	VARIVENT 32 ISO 6" IPS	84	67,95	35	17	12,3	60 x 3,0
G	VARIVENT DN100 und DN 125	142	122,90	65	21	21	113 x 4,0