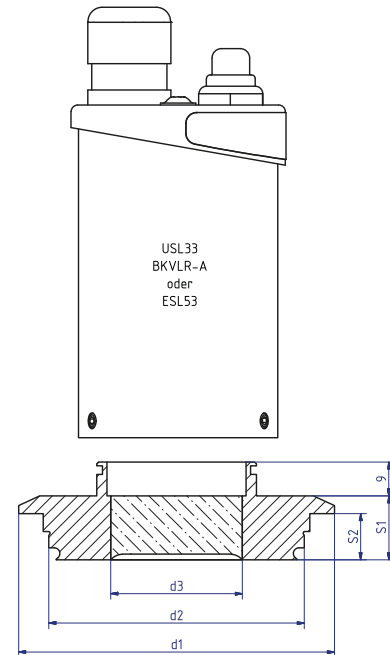


METAGLAS® Sight glass with luminaire for VARIVENT® in-line fittings



**Applications**

- VARIVENT® In-Line flanges
- VARIVENT® In-Line housings

**Advantages**

- Housing free of dead zones, no domes or pools
- Pre-determined distortion of O-ring by metal contact faces
- Suitable for CIP and SIP\*
- Security against total failure
- Long service life
- Crevice free seal

**Approvals and technical data**

- Pressure Equipment Directive 2014/68/EU, Module H (DIN/EN/ISO 9001)
- AD2000 Standards W0/TRD 100
- Sight glass fused to metal conforming to DIN 7079
- Materials to VdTÜV specifications and the DIN/EN designated standards
- Glass: borosilicate to DIN 7080 / DIN 7079

**Material certificates**

Certificate of Conformity  
EN 10204 – 3.1 or 3.2 at a surcharge

**Operating conditions for sight glass**

Pressure: Up to 25 bar  
Temperature: See table

Ring materials	Temperature (TS)
1.4462	-30°C to +280°C
2.4602	-60°C to +300°C
2.4605	-60°C to +300°C
2.4610	-60°C to +300°C

For further technical information, see data sheets USL33/ ESL53 Ex/Non-EX or BKVLR-A

**Process connections**

	d1	d2	d3	S1	S2	O-ring
N VARIVENT 32 ISO 6" IPS	84	67,95	35	17	12,3	60 x 3,0

\*For more detailed information, please read the maintenance instruction.