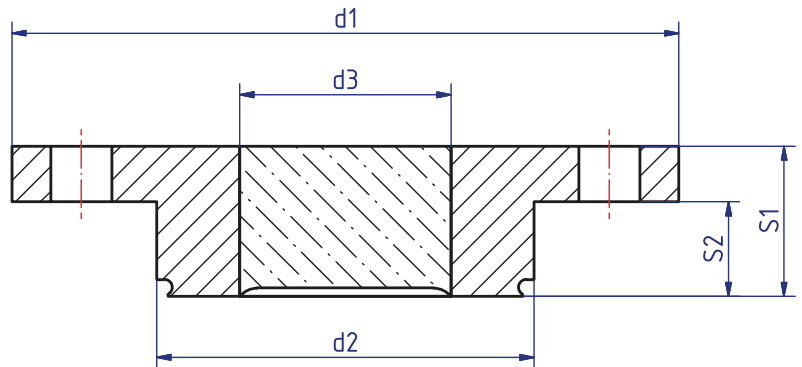


METAGLAS® Sight glass for Neumo BioControl



Applications

Neumo BioControl

Advantages

- Defined distortion of O-ring by metal contact faces
- Suitable for CIP and SIP*
- Security against total failure
- Long service life
- Housing free of dead zones, no domes or pools
- Crevice free seal

Ring

materials	Temperature (TS)
1.4462	-30°C to +280°C
2.4602	-60°C to +300°C

Approvals and technical data

- Pressure Equipment Directive 2014/68/EU, Module H (DIN/EN/ISO 9001)
- AD2000 Standards W0/TRD 100
- Sight glass fused to metal conforming to DIN 7079
- Materials to VdTÜV specifications and the DIN/EN designated standards
- Glass: borosilicate to DIN 7080 / DIN 7079

Material certificates

Certificate of Conformity EN 10204 – 3.1 or 3.2 for extra costs

Operating conditions

- Pressure: 16 bar
- Temperature: See table

Nominal size	operating Pressure	d1	d2	d3	S1	S2	O-ring
25	16	64	30,35	18	20	11	23,5 x 3,0
50	16	90	49,85	30	27	17	42,0 x 3,0
65	16	120	67,85	38	27	17	60,0 x 3,0
80	16	140	87,40	45	37	25	78,0 x 3,0

*For more detailed information, please read the maintenance instruction.