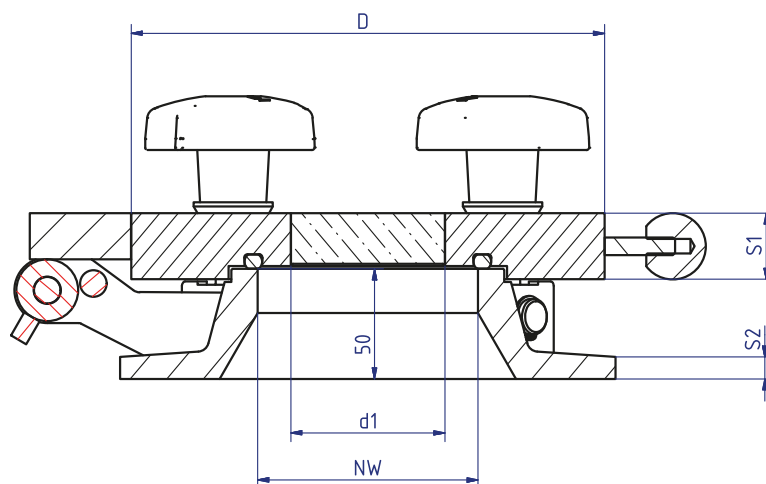


METAGLAS® Folding sight glass



Approvals

- TÜV-component inspection,
- with individual check according to DGR 2014/68/EU
- ASME certification (optional)

Operation areas

- Chemical, pharmaceutical, food industry

Circular fastener

- For vessels requiring approval according to TÜV, ASME; depending on size up to 10 / -1 bar

Standard Type

- Contact parts: 1.4571, optional 1.4404
- Sight glass 1.4462 / borosilicate glass
- Plastic star handle with stainless steel screw socket
- Silicon seal
- With hinge and button
- Flange height 50 mm, thickness 10 mm, outside conical
- Surface non-ground, glass-bead blasted

Options

- Different collar materials: 1.4435 BN2, 1.4539, 1.4529, 1.4462, Hastelloy (C-22, C-4, C-276 ...)
- Sight glass: 1.4462, Hastelloy / borosilicate
- Various sealing options
- Different surface qualities (glass-bead blasted, pickled or ground to Ra < 0,2 µm)
- Optional sizes available
- Fastener slewable sideways
- Different fastening nuts: stainless steel star handles, locking handle
- Self-snapping safety adjustment
- Spring-opening aid
- Wiper and luminaires
- Fittings available in special materials

NW	Max. operating Pressure	Max. operation (°C)	Mounting holes M16	S1	S2	D	D1	Weight kg
100	10	280°C	4	30	10	215	80	15
125	10	280°C	4	30	10	240	100	16
150	10	280°C	4	30	10	265	110	17
175	10	280°C	4	30	10	290	120	18
225	10	280°C	8	30	10	340	140	19