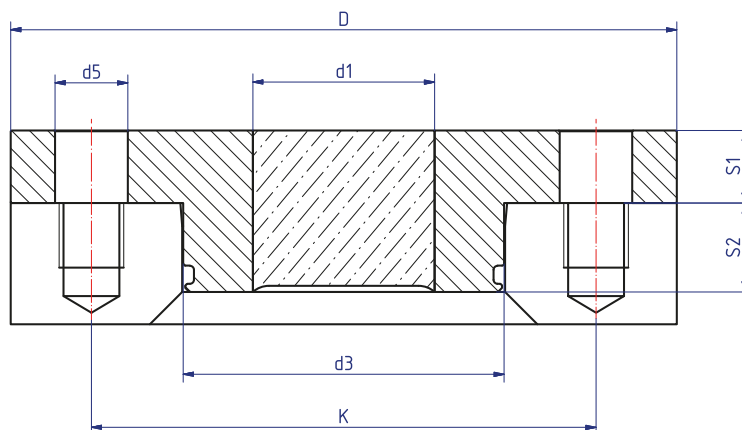
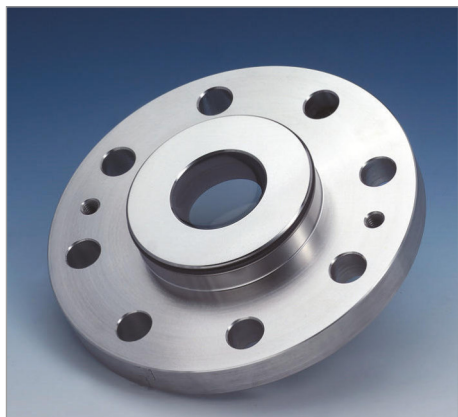


METAGLAS® Sight glass for sterile applications



**Applications**

- Weld in base flanges similar to DIN 28117

**Material certificates**

- Certificate of Conformity to EN 10204-3.1 or 3.2

**Operating conditions**

Pressure: -1 to 16 bar  
Temperature: See table

**Ring materials**      **Temperature (TS)**

1.4462	-30°C to +280°C
2.4602	-60°C to +300°C
2.4605	-60°C to +300°C
2.4610	-60°C to +300°C

**Approvals and technical data**

- Pressure Equipment Directive 2014/68/EU, Module H (DIN/EN/ISO 9001)
- AD2000 Standards W0/TRD 100
- Sight glass fused to metal conforming to DIN 7079
- Materials to VdTÜV specifications and the DIN/EN designated standards
- Glass: borosilicate to DIN 7080 / DIN 7079

**Advantages**

- Security against total failure
- Gap can be checked
- Dead zone free, flush wall seal design
- Suitable for CIP and SIP cleaning\*

**O-ring**

- Material: EPDM, FDA
- Dimensions: See table

Nominal size-	D	d1	d3	d5	K	Number of bore holes	S1	S2	O-ring
40	150	30	64,5	18	110	4	16	24	58,74 x 3,53
50	165	40	79,5	18	125	4	18	22	72,62 x 3,53
80	200	50	99,5	18	160	8	20	20	91,67 x 3,53
100	220	60	124,5	18	180	8	20	20	113,70 x 5,34
125	250	70	149,5	18	210	8	22	18	139,07 x 5,34
150	285	80	174,5	22	240	8	22	18	164,46 x 5,34
200	340	100	224,5	22	295	8	24	18	208,91 x 5,34

\*For more detailed information, please read the maintenance instruction.