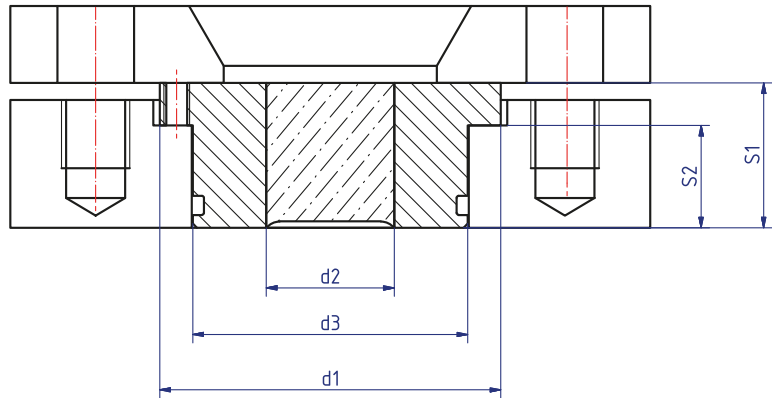
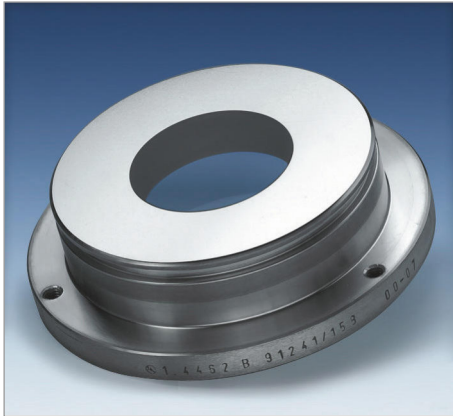


METAGLAS® Sight glass for sterile applications



Applications

- Weld in base flanges similar to DIN 28117

Material certificates

Certificate of Conformity to EN 10204-3.1 or 3.2

Operating conditions

Pressure: -1 to 16 bar

Temperature: See table

Ring materials **Temperature (TS)**

| | |
|--------|-----------------|
| 1.4462 | -30°C to +280°C |
| 2.4602 | -60°C to +300°C |
| 2.4605 | -60°C to +300°C |
| 2.4610 | -60°C to +300°C |

Approvals and technical data

- Pressure Equipment Directive 2014/68/EU, Module H (DIN/EN/ISO 9001)
- AD2000 Standards W0/TRD 100
- Sight glass fused to metal conforming to DIN 7079
- Materials to VdTÜV specifications and the DIN/EN designated standards
- Glass: borosilicate to DIN 7080 / DIN 7079

Advantages

- Security against total failure
- Gap can be checked
- Dead zone free, flush wall seal design
- Suitable for CIP and SIP cleaning*

O-ring

- Material: EPDM, FDA
- Dimensions: See table

| NW | d1 | d2 | d3 | S1 | S2 | O-ring |
|-----|-----|-----|-------|----|----|---------------|
| 40 | 80 | 30 | 64,5 | 34 | 24 | 58,74 x 3,53 |
| 50 | 100 | 40 | 79,5 | 34 | 24 | 72,62 x 3,53 |
| 80 | 125 | 50 | 99,5 | 34 | 24 | 91,67 x 3,53 |
| 100 | 150 | 60 | 124,5 | 34 | 24 | 113,70 x 5,34 |
| 125 | 175 | 70 | 149,5 | 34 | 24 | 139,07 x 5,34 |
| 150 | 200 | 80 | 174,5 | 40 | 30 | 164,46 x 5,34 |
| 200 | 250 | 100 | 224,5 | 40 | 30 | 208,91 x 5,34 |

*For more detailed information, please read the maintenance instruction.