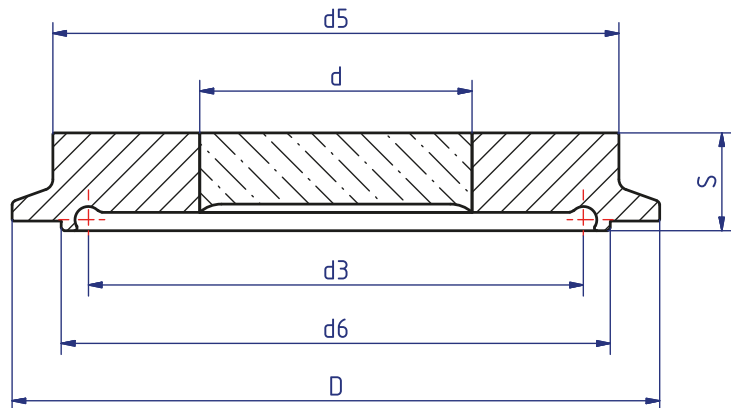


**METAGLAS® Sight glass flange for aseptic screwed fittings to DIN 11864-3  
(Groove clamp connection)**



**Applications**

- Sterile fitting to DIN 11864, Part 3
- Version with raised lip for installation on recessed face sterile flange

**Material certificates**

- Certificate of Conformity EN 10204 – 3.1 or 3.2

**Approvals and technical data**

- Pressure Equipment Directive 2014/68/EU, Module H (DIN/EN/ISO 9001)
- AD2000 Standards W0/TRD 100
- Sight glass fused to metal conforming to DIN 7079
- Materials to VdTÜV specifications and the DIN/EN designated standards
- Glass: borosilicate to DIN7080 / DIN7079

**Advantages**

- Security against total failure
- Sight glass and sealing profile correspond to recommendations of EHEDG (European Hygienic Equipment Design Group) and to ASME BPE (Bioprocessing Equipment)
- Flush seal to atmospheric side
- Suitable for CIP and SIP cleaning\*
- Complies with GMP for cleanliness, cleaning, sterilisation

Ring materials	Temperature (TS)
1.4462	-30°C to +280°C
2.4602	-60°C to +300°C
2.4610	-60°C to +300°C

Nominal size DN			Max. operating pressure [bar]	D	d	d3	d6	d5	S	O-ring
Series A DIN 11850	Series B ISO 1127	Series C ISO 2037 BS 4825								
20	–	–	16	50,5	20	24,90	32,3	42	12	22 x 3,5
–	–	1"	16	50,5	22	26,90	34,3	42	12	24 x 3,5
–	26,9	–	16	50,5	22	28,60	36,0	42	12	26 x 3,5
25	–	–	16	50,5	24	30,90	38,3	42	12	28 x 3,5
32	–	–	16	50,5	24	38,65	47,6	42	14	34 x 5
–	–	1½"	16	64	30	41,45	50,4	54	14	37 x 5
40	–	–	16	64	30	44,65	53,6	54	14	40 x 5
–	42,4	–	16	64	30	45,05	54,0	54	14	40,5 x 5
–	48,3	–	16	64	30	50,95	59,9	54	14	46,5 x 5
–	–	2"	16	77,5	35	54,55	63,4	62	15	50 x 5
50	–	–	16	77,5	35	56,65	65,6	62	15	52 x 5
–	60,3	–	10	91	40	62,95	71,9	78	16	58,5 x 5
–	–	2½"	10	91	40	66,85	75,8	78	16	62 x 5
65	–	–	10	91	40	72,65	81,6	78	16	68 x 5
–	76,1	–	10	106	50	78,35	88,3	93	16	73,5 x 5
–	–	3"	10	106	50	79,55	89,5	93	16	75 x 5
80	–	–	10	106	50	87,65	97,6	93	16	83 x 5
–	88,9	–	10	119	50	90,95	100,9	104	18	86,5 x 5
–	–	4"	10	130	60	104,05	114,2	115	20	100 x 5
100	–	–	10	130	60	106,65	116,6	115	20	102 x 5
–	114,3	–	10	144	65	115,90	125,8	124	22	111 x 5
125	–	–	10	155	70	131,65	141,6	130	22	127 x 5
150	–	–	10	183	80	156,65	167,6	155	25	152 x 5

\*For more detailed information, please read the maintenance instruction.