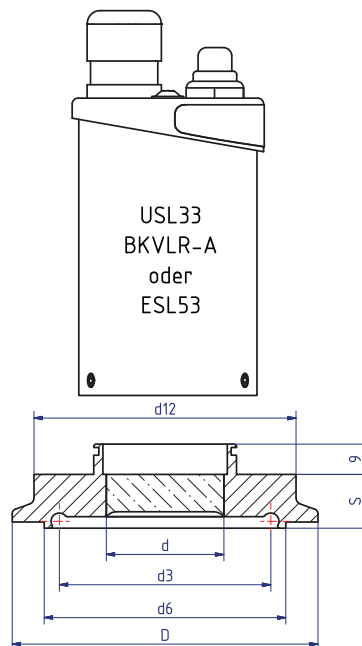


**METAGLAS® Sight glass for aseptic screwed fittings to DIN 11864-3
(For luminaire Type ESL53 or BKVLR-A (groove clamp connection))**



Advantages

- Security against total failure
- Sight glass and sealing profile correspond to recommendations of EHEDG (European Hygienic Equipment Design Group) and to ASME BPE (Bioprocessing Equipment)
- Flush seal to atmospheric side
- Suitable for CIP and SIP cleaning*
- Complies with GMP for cleanliness, cleaning, sterilisation

Ring materials	Temperature (TS)
1.4462	-30°C to +280°C
2.4602	-60°C to +300°C
2.4610	-60°C to +300°C

Applications

- Sterile fitting to DIN 11864, Part 3
- Version with raised lip for installation on recessed face sterile flange

Approvals and technical data

- Pressure Equipment Directive 2014/68/EU, Module H (DIN/EN/ISO 9001)
- Materials to VdTÜV specifications and the DIN/EN designated standards
- Glass: borosilicate to DIN 7080 / DIN 7079

For further technical information, see data sheets USL33/ ESL53 or BKVLR-A

Nominal size DN			Max. operating pressure [bar]	D	d	d3	d6	d12	S	O-ring
Series A DIN 11850	Series B ISO 1127	Series C ISO 2037 BS 4825								
25	-	-	16	50,5	24	30,90	38,3	42	17	28 x 3,5
32	-	-	16	50,5	24	38,65	47,6	42	14	34 x 5
-	-	1½"	16	64	30	41,45	50,4	54	14	37 x 5
40	-	-	16	64	30	44,65	53,6	54	17	40 x 5
-	42,4	-	16	64	30	45,05	54,0	54	14	40,5 x 5
-	48,3	-	16	64	30	50,95	59,9	54	14	46,5 x 5
-	-	2"	16	77,5	35	54,55	63,4	62	15	50 x 5
50	-	-	16	77,5	35	56,65	65,6	62	15	52 x 5
-	60,3	-	10	91	35	62,95	71,9	78	16	58,5 x 5
-	-	2½"	10	91	35	66,85	75,8	78	16	62 x 5
65	-	-	10	91	37	72,65	81,6	78	16	68 x 5
-	76,1	-	10	106	35	78,35	88,1	90,5	18	73,5 x 5
-	-	3"	10	106	35	79,55	89,5	90,5	18	75 x 5
80	-	-	10	106	35	87,65	97,6	90	18	83 x 5

*For more detailed information, please read the maintenance instruction.