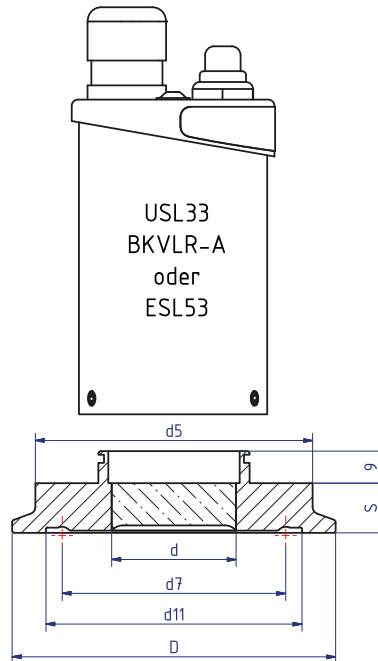


METAGLAS® Sight glass for aseptic screwed fittings to DIN 11864-3
(For luminaire Type USL-33, ESL53 or BKVLR-A – collar clamp connection)



Advantages

- Security against total failure
- Sight glass and sealing profile correspond to EHEDG (European Hygienic Equipment Design Group) and ASME BPE (Bioprocessing Equipment)
- Flush seal to atmospheric side
- Suitable for CIP and SIP cleaning*
- Complies with GMP for cleanliness, cleaning, sterilisation

Applications

- Sterile fitting to DIN 11864 part 3
- Aseptic groove clamp for installation on aseptic round clamp

Approvals and technical data

- Pressure Equipment Directive 2014/68/EU, Module H (DIN/EN/ISO 9001)
- Sight glass fused to metal conforming to DIN 7079
- Materials to VdTÜV specifications and the DIN/EN designated standards
- Glass: borosilicate to DIN 7080 / DIN 7079

Ring materials	Temperature (TS)
1.4462	-30°C to +280°C
2.4602	-60°C to +300°C
2.4610	-60°C to +300°C

For further technical information, see data sheets USL33/ ESL53 or BKVLR-A

Nominal size DN			Max. operating pressure [bar]	D	d	d11	d7	S	O-ring
Series A DIN 11850	Series B ISO 1127	Series C ISO 2037 BS 4825							
25	–	–	16	50,5	24	38,4	30,76	12	28 x 3,5
32	–	–	16	50,5	24	47,7	38,56	12	34 x 5
–	–	1½"	16	64	30	50,5	41,36	12	37 x 5
40	–	–	16	64	30	53,7	44,56	12	40 x 5
–	42,4	–	16	64	30	54,1	44,96	12	40,5 x 5
–	48,3	–	16	64	30	60,0	50,86	12	46,5 x 5
–	–	2"	16	77,5	35	63,5	54,36	14	50 x 5
50	–	–	16	77,5	35	65,7	56,56	14	52 x 5
–	60,3	–	10	91	35	72,0	62,86	14	58,5 x 5
–	–	2½"	10	91	35	75,9	66,76	14	62 x 5
65	–	–	10	91	35	81,7	72,56	14	68 x 5
–	76,1	–	10	106	35	88,4	78,26	14	73,5 x 5
–	–	3"	10	106	35	89,6	79,46	16	75 x 5
80	–	–	10	106	35	97,7	87,56	16	83 x 5

*For more detailed information, please read the maintenance instruction.