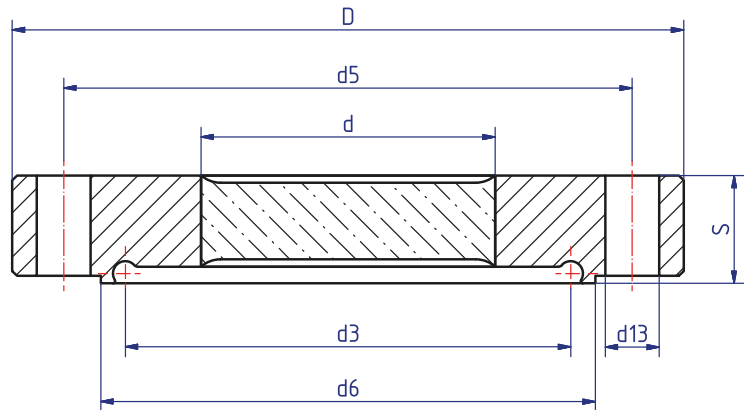


METAGLAS® Sight glass flange for aseptic screwed fittings to DIN 11864-2



Applications

- Sterile fitting to DIN 11864, Part 2
- Version with raised lip for installation on recessed face sterile collar flange

Material certificates

- Certificate of conformity EN 10204-3.1 or 3.2

Approvals and technical data

- Pressure Equipment Directive 2014/68/EU, Module H (DIN/EN/ISO 9001)
- AD2000 Standards W0/TRD 100
- Sight glass fused to metal conforming to DIN 7079
- Materials to VdTÜV specifications and the DIN/EN designated standards
- Glass: borosilicate to DIN 7080 / DIN 7079

Advantages

- Security against total failure
- Sight glass and sealing profile correspond to recommendations of EHEDG (European Hygienic Equipment Design Group) and to ASME BPE (Bioprocessing Equipment)
- Long service life
- Flush seal to atmospheric side
- Suitable for CIP and SIP cleaning*
- Complies with GMP for cleanliness, cleaning, sterilisation

Ring materials	Temperature (TS)
1.4462	-30°C to +280°C
2.4602	-60°C to +300°C
2.4610	-60°C to +300°C

Nominal size DN			Max. operating pressure [bar]	D	d	d3	d5	d6	d13	S	O-ring
Series A DIN 11850	Series B ISO 1127	Series C ISO 2037 BS 4825									
40	-	-	16	82	35	44,65	65	53,6	4 x Ø9	14	40 x 5
-	42,4	-	16	82	28	45,05	65	54,0	4 x Ø9	14	40,5 x 5
-	48,3	-	16	88	37	50,95	71	59,9	4 x Ø9	15	46,5 x 5
-	-	2"	16	92	40	54,45	75	63,4	4 x Ø9	16	50 x 5
50	-	-	16	94	40	56,65	77	65,6	4 x Ø9	17	52 x 5
-	60,3	-	16	103	40	62,86	85	71,9	4 x Ø9	17	58,5 x 5
-	-	2½"	16	107	45	66,85	89	75,8	8 x Ø9	18	62 x 5
65	-	-	16	113	45	72,65	95	81,6	8 x Ø9	18	68 x 5
-	76,1	-	16	125	50	78,35	104	88,1	8 x Ø11	20	73,5 x 5
-	-	3"	16	125	50	79,55	104	89,5	8 x Ø11	20	75 x 5
80	-	-	16	133	55	87,65	112	97,6	8 x Ø11	20	83 x 5
-	88,9	-	16	137	60	90,86	116	100,9	8 x Ø11	20	86,5 x 5
-	-	4"	10	157	65	104,05	135	114,2	8 x Ø11	22	100 x 5
100	-	-	10	159	65	106,65	137	116,6	8 x Ø11	22	102 x 5
-	114,3	-	10	168	70	115,61	146	125,6	8 x Ø11	22	111 x 5
125	-	-	10	183	75	131,65	161	141,6	8 x Ø11	25	127 x 5
150	-	-	10	213	90	156,56	188	167,6	8 x Ø14	25	152 x 5

*For more detailed information, please read the maintenance instruction.