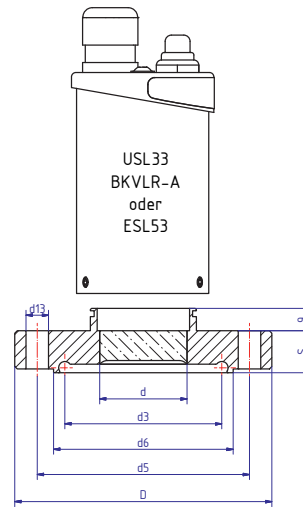


**METAGLAS® Sight glass for Aseptic Flanged Pipe Connection DIN 11864-2 for Luminaires USL33/ESL53 or BKVLR-A**



**Advantages**

- Security against total failure
- Sight glass and sealing profile correspond to recommendations of EHEDG (European Hygienic Equipment Design Group) and to ASME BPE (Bioprocessing Equipment)
- Long operating time
- Flush seal against atmospheric side
- Suitable for CIP and SIP cleaning
- Complies with GMP for clean condition, cleaning, sterilization

**Applications**

- Sterile duty fitting to DIN 11864 part 2 form A
- Version with raised lip for installation on recessed face sterile duty flange form A

**Technical data**

- Directive for Pressure equipment 2014/68/EU, Module H (DIN/EN/ISO 9001)
- AD 2000 Standards W0/TRD 100
- Materials to VdTÜV specifications and the DIN/EN designated standards
- Glass: Borosilicate to DIN 7080 / DIN 7079

**Operating conditions for sight glass**

For further technical information see data sheets USL33/ ESL53 or BKVLR-A

**Ring**

Ring materials	Temperature (TS)
1.4462	-30°C to +280°C
2.4602	-60°C to +300°C
2.4610	-60°C to +300°C

Nominal size DN			max. operating pressure [bar]	D	d	d3	d5	d6	d13	S	O-Ring
Series A DIN 11850	Series B ISO 1127	Series C ISO 2037 BS 4825									
-	33,7	-	16	74	25	36,35	57	45,3	4 x Ø9	14	32 x 5
32	-	-	16	76	28	38,65	59	47,6	4 x Ø9	14	34 x 5
-	-	1 1/2"	16	79	30	41,45	62	50,4	4 x Ø9	14	37 x 5
40	-	-	16	82	30	44,65	65	53,6	4 x Ø9	14	40 x 5
-	42,4	-	16	82	30	45,05	65	53,6	4 x Ø9	14	40,5 x 5
-	48,3	-	16	88	35	50,86	71	59,9	4 x Ø9	14	46,5 x 5
-	-	2"	16	92	35	54,36	75	63,4	4 x Ø9	16	50 x 5
50	-	-	16	94	35	56,56	77	65,6	4 x Ø9	16	52 x 5
-	60,3	-	16	103	35	62,86	85	71,9	4 x Ø9	16	58,5 x 5
-	-	2 1/2"	16	107	35	66,76	89	75,8	8 x Ø9	18	62 x 5
65	-	-	16	113	35	72,56	95	81,6	8 x Ø9	18	68 x 5
-	76,1	-	16	125	35	78,06	104	88,1	8 x Ø11	20	73,5 x 5
-	-	3"	16	125	35	79,46	104	89,5	8 x Ø11	20	75 x 5
80	-	-	16	133	35	87,56	112	97,6	8 x Ø11	20	83 x 5
-	88,9	-	16	137	35	90,86	116	100,9	8 x Ø11	20	86,5 x 5