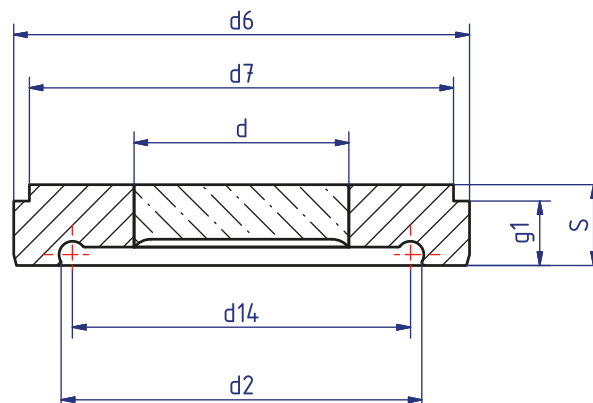
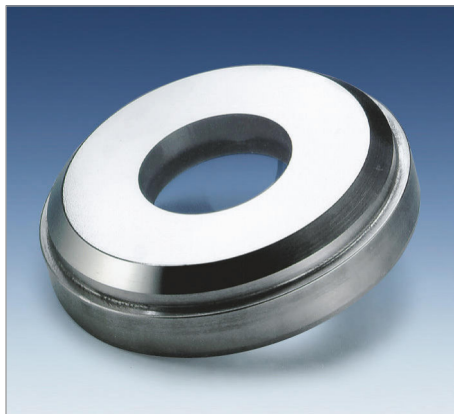


METAGLAS® Sight glass for aseptic screwed fittings to DIN 11864-1



Applications

- Aseptic screwed pipe connection
DIN 11864-1

Material certificates

- Certificate of Conformity
EN 10204 – 3.1 or 3.2 for extra costs

Operating conditions

- Pressure: 25 bar
- Temperature: See table

Ring materials **Temperature (TS)**

1.4462	-30°C to +280°C
2.4602	-60°C to +300°C
2.4605	-60°C to +300°C
2.4610	-60°C to +300°C

Approvals and technical data

- Pressure Equipment Directive 2014/68/EU, Module H (DIN/EN/ISO 9001)
- AD2000 Standards W0/TRD 100
- Sight glass fused to metal conforming to DIN 7079
- Materials to VdTÜV specifications and the DIN/EN designated standards
- Glass: borosilicate to DIN 7080 / DIN 7079

Advantages

- Security against total failure
- Easy cleaning – gap can be checked
- Flush glass/metal joint to atmospheric side
- Suitable for CIP and SIP cleaning*
- Maximum visual aperture

Nominal size DN			max. operating pressure [bar]	d6	d	d14	d7	d2	g1	S	O-ring
Series A DIN 11850	Series B ISO 1127	Series C ISO 2037 BS 4825									
20	–	–	25	35,9	17	24,9	30	27,97	7	11	22 x 3,5
25	–	–	25	42,9	20	30,9	35	33,97	9	12	28 x 3,5
–	33,7	–	25	48,9	23	36,35	41	40,36	10	13	32 x 5
32	–	–	25	48,9	23	38,65	41	42,66	10	13	34 x 5
–	–	1½"	25	54,9	28	41,45	48	45,46	10	14	37 x 5
40	–	–	25	54,9	28	44,65	48	48,66	10	14	40 x 5
–	42,4	–	25	54,9	28	45,05	48	49,06	10	14	40,5 x 5
–	48,3	–	25	66,9	34	50,95	61	54,96	11	14	46,5 x 5
–	–	2"	25	66,9	34	54,45	61	58,46	11	14	50 x 5
50	–	–	25	66,9	34	56,65	61	60,66	11	14	52 x 5
–	60,3	–	16	84,9	40	62,95	79	66,96	12	15	58,5 x 5
–	–	2½"	16	84,9	40	66,85	79	70,86	12	15	62 x 5
65	–	–	16	84,9	40	72,65	79	76,66	12	16	68 x 5
–	76,1	–	16	98,9	47	78,35	93	82,36	14	18	73,5 x 5
–	–	3"	16	98,9	47	79,55	93	83,56	14	18	75 x 5
80	–	–	16	98,9	47	87,65	93	91,66	14	18	83 x 5
–	88,9	–	16	118,9	55	90,95	114	94,96	15	21	86,5 x 5
–	–	4"	16	118,9	55	104,05	114	108,06	15	21	100 x 5
100	–	–	16	118,9	55	106,65	114	110,66	15	21	102 x 5

*For more detailed information, please read the maintenance instruction.