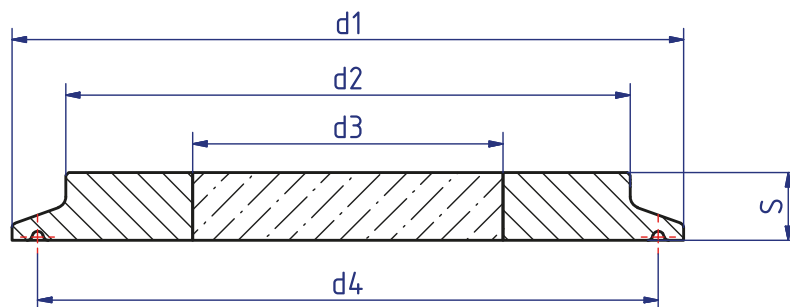


METACLAMP® Sight glass for clamp fitting



Applications

- For clamp fittings to
DIN 32 676 / ISO 2852

Material certificates

- Certificate of Conformity to
EN 10204-3.1 or 3.2

Operating conditions

- Pressure: -1 to 16 bar
- Temperature: See table

Ring materials

Temperature (TS)

1.4462	-30°C to +280°C
2.4602	-60°C to +300°C
2.4610	-60°C to +300°C

Approvals and technical data

- Pressure Equipment Directive 2014/68/EU,
Module H (DIN/EN/ISO 9001)
- AD 2000 Standards W0/TRD 100
- Sight glass fused to metal conforming to DIN 7079
- Borosilicate glass to DIN 7080 / DIN 7079

Advantages

- Extremely compact design
- Reliability against total failure –
the possibility of sudden unexpected rupture is totally excluded
- Fast and simple installation and maintenance
- Extreme resistance to impact and temperature
- Wide acceptance in the European and American food, beverage,
pharmaceutical and chemical industries

Nominal size			d1	d2	d3	d4	S	Max. operating pressure [bar]
DIN	ISO	ASME BPE						
-	8/10	½", ¾"	25	18	10	18,0	10	16
10/15/20	-	-	34	23	14	27,5	8	16
25/32/40	15/20/25	1", 1½"	50,5	41	25	43,5	10	16
50	32/40	2"	64	52	30	56,5	10	16
-	50	2½"	77,5	63,5	35	70,5	12	16
65	65	3"	91	76	40	83,5	10	10
80	80	3½"	106	90	50	97,0	10	10
100	-	4"	119	101	55	110,0	12	10
-	100	4½"	130	114	60	122,0	16	10
-	-	5"	144,5	127	65	134,5	16	10
125	-	5½"	155	138	70	146,0	16	6
-	-	6"	167	152	75	156,5	16	6
150	150	-	183	160	80	174,3	16	6
-	-	8"	217,5	198	100	207,4	18	6
200	200	-	233,5	210	100	225,1	18	6
-	-	10"	268	245	130	257,8	20	6
250	-	-	287,5	266	140	278,4	22	6
-	-	12"	319,3	300	150	309,1	22	6
300	300	-	338,3	316	150	328,4	22	6