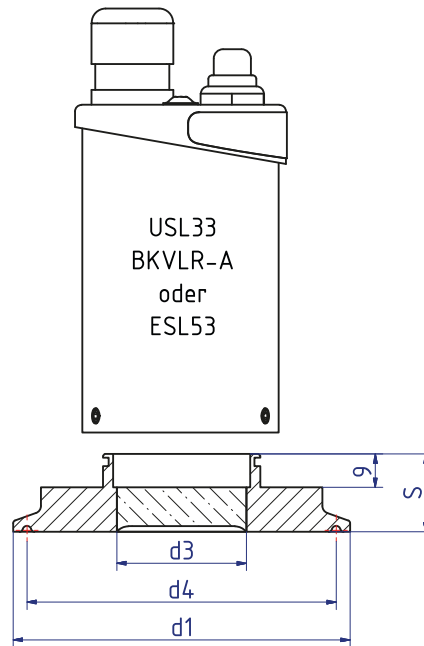


METACLAMP® Sight glass for clamp fitting and luminaires USL33, ESL53 or BKVLR-A



**Applications**

- Extremely compact unit combining the popular LumiGlass USL-33 light with the proven Metaclamp sanitary mounting system. This compact combination can be mounted directly onto any vessel or pipeline and provides intense, glare-free illumination through a METAGLAS® safety glass lens. Lights are available with an optional push button momentary on/off switch.

**Material certificates**

- Certificate of Conformity to EN 10204-3.1 3.2 for extra costs

**Metaclamp Materials**

- Duplex Stainless Steel (1.4462)
- Hastelloy C-22 (2.4602)
- Hastelloy C-4 (2.4610)

**Operating conditions**

- Pressure: -1 to 16 bar
- Temperature: See table

**Ring materials**      **Temperature (TS)**

1.4462	-30°C to +280°C
2.4602	-60°C to +300°C
2.4610	-60°C to +300°C

**Approvals and technical data**

- Pressure Equipment Directive 2014/68/EU, Module H (DIN/EN/ISO 9001)
- AD2000 Standards W0/TRD 100
- Sight glass fused to metal conforming to DIN 7079
- Materials to VdTÜV specifications and the DIN/EN designated standards
- Glass: borosilicate to DIN 7080 / DIN 7079

**Advantages**

- Extremely compact
- Minimal crevices for sanitary applications
- Suitable for food processing (A3-Standard)
- Dust and water-jet resistant (IP65) even during external washdown
- Fast and simple installation with no risk of breakage
- Very high resistance to impact
- Sight glass resistant to catastrophic failure

For further technical information, see data sheets USL33/ ESL53 or BKVLR-A

Nominal size			d1	d3	d4	S	Max. operating pressure [bar]
DIN	ISO	ASME BPE					
25/32/40	15/20/25	1", 1½"	50,5	25	43,5	20	16
50	32/40	2"	64	30	56,5	24	16
–	50	2½"	77,5	34	70,5	21	10
65	65	3"	91	35	83,5	21	10
80	80	3½"	106	35	97,0	22	10
100	–	4"	119	35	110,0	22	10