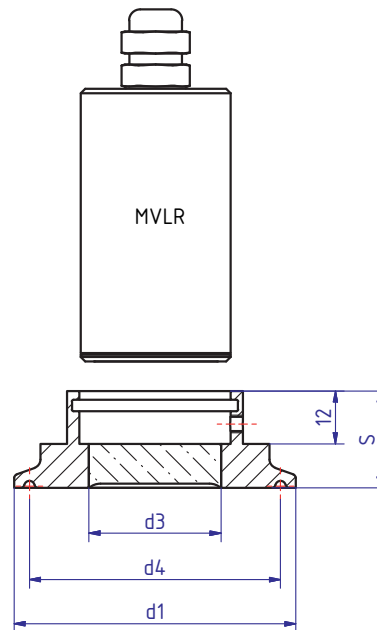
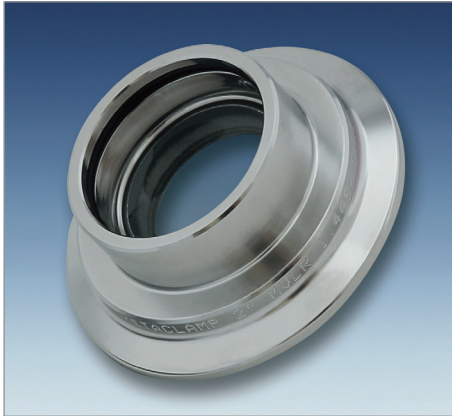


METACLAMP® for MVLR Light Fitting



Applications

- Compact sanitary combination of miniature stainless steel MVLR light fitting with the proven Metacamp sanitary mounting system.

Advantages

- Miniature space saving design
- The robust and highly reliable light fittings are particularly suitable for use in pharmaceutical and sterile applications on metal fused sight Glasses.
- Dust and water jet resistant (IP65) even during external washdown
- Fast & simple installation with no risk of breakage
- Very high resistance to impact
- Sight glass resistant to catastrophic failure

Operating conditions for sight glass

- Temperature: see table
- Pressure: -1 to 16°C

Ring

materials	Temperature (TS)
1.4462	-30°C bis +280°C
2.4602	-60°C bis +300°C

Technical data Manufactured and tested to:

- Directive for pressure equipment 2014/68/EU, Module H (DIN/EN/ISO 9001)
- AD2000 Standards W0/TRD 100
- Sight glass fused to metal conforming to DIN 7079
- Materials to VdTÜV specifications and the DIN/EN designated standards
- Glass: Borosilicate to DIN 7080 / DIN 7079

Material certificates

- Certificate of Conformity to EN 10204-3.1 or 3.2 for extra costs

Light Type MVLR-LED

- The built-in LED module offers a cold light output. The life span is approximately 35.000 operating hours.
- Terminal voltage: 22 - 26 V AC or DC
- Nominal rating: 2 W LED
- Housing: Stainless steel, polished
- Dust and water-jet proof IP65 & EN60 529/DIN VDE 0470 part 1
- Ambient temperature: 40°C

Nominal size			d1	d3	d4	S	Max. operating pressure [bar]
DIN	ISO	ASME BPE					
-	8/10	½", ¾"	25	10	20,5	26	16
10/15/20	-	-	34	14	27,5	26	16
25/32/40	15/20/25	1", 1½"	50,5	25	43,5	22	16
50	32/40	2"	64	30	56,5	22	16
-	50	2½"	77,5	30	70,5	24	16
65	65	3"	91	30	83,5	24	10
80	80	3½"	106	30	97,0	24	10
100	-	4"	119	30	110,0	24	10