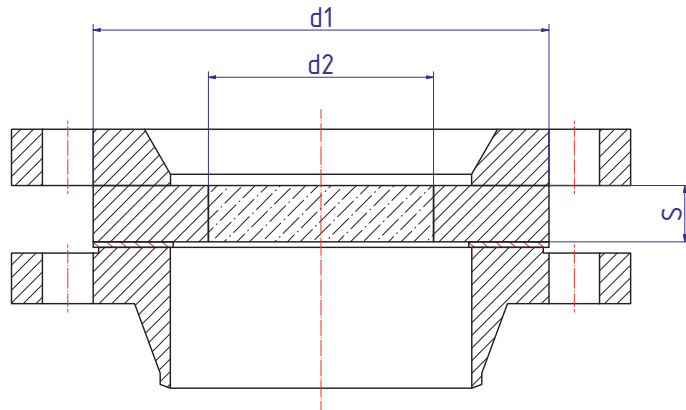
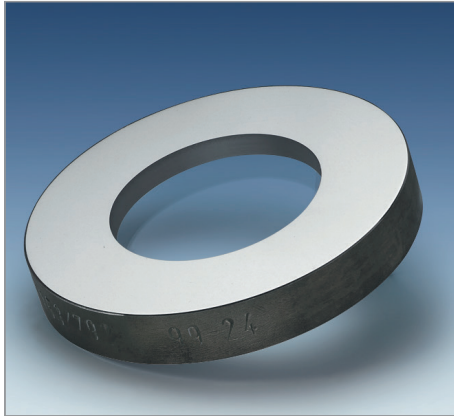


METAGLAS® Sight glass Discs for Welding Neck Flanges – Connection to DIN



Applications

- As a replacement for conventional Glasses in the following assemblies:
- Circular sight ports to DIN 28121
- Plus any other assemblies where the Glass is of the same dimensions, e.g. weld neck flanges with flat or raised face

Operating conditions

Temperature: -60°C to +300°C
Pressure: Up to 40 bar (TÜV)
Higher pressures possible

Ring materials

Temperature (TS)

S355J2+N	-10°C bis +300°C
1.4462	-30°C bis +280°C
2.4602	-60°C bis +300°C
2.4605	-60°C bis +300°C
2.4610	-60°C bis +300°C

Approvals and technical data

- Manufactured and tested in conformance with:
- Pressure Equipment Directive 2014/68/EU, Module H/H1 (DIN/EN/ISO 9001)
- AD2000 Standards W0/TRD 100
- TÜV and Factory Mutual Approval*
- Sight glass fused to metal conforming to DIN 7079
- Borosilicate Glass to DIN 7080 / DIN 7079

Advantages

- Reliability against total failure – the possibility of sudden unexpected rupture is totally excluded
- High resistance to bending and over-tightening offers simple and fast installation with no risk of breakage
- Extreme resistance to impact, pressure and Temperature
- Reusable in the same or other applications – conventional Glass is not available
- Wide acceptance in the European & American chemical industries

Material certificates

- Certificate of Conformity to EN 10204-3.1 or 3.2

Nominal size	Maximum Pressure 16 bar			Maximum Pressure 40 bar		
	d1	d2	S	d1	d2	S
25	70	30	10	70*	30	15
32	82	40	12	82	40	15
40	92	45	15	92	45	20
50	107	50	15	107	50	20
65	127	70	15	127	70	25
80	142	75	20	142	75	25
100	162	80	20	162*	80	25
125	192	100	20	192*	100	30
150	218	100	25	218*	100	35
200	273	120	30	273*	120	40

*Approved dimensions and materials see www.metaglas.com