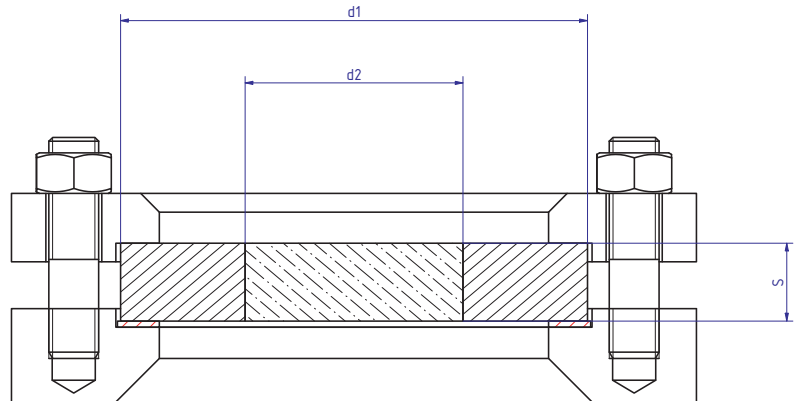


METAGLAS® Sight glass Discs



Applications

- As a replacement for conventional Glass discs in the following assemblies:
- Circular sight ports to DIN 28120 or similar
- Circular sight ports to DIN 28121
- Screwed sight Glasses similar to DIN 11851
- Sight flow indicators

Material certificates

- Certificate of Conformity to EN 10204-3.1 or 3.2

Ring materials Temperature (TS)

S355J2+N	-10°C bis +300°C
1.4462	-30°C bis +280°C
2.4602	-60°C bis +300°C
2.4605	-60°C bis +300°C
2.4610	-60°C bis +300°C
2.4819	-60°C bis +300°C

Approvals and technical data

- Manufactured and tested in conformance with:
- Pressure Equipment Directive 2014/68/EU, Module H/H1 (DIN/EN/ISO 9001)
- AD Standards W0/TRD 100
- TÜV and Factory Mutual Approval*
- Sight glass fused to metal conforming to DIN 7079
- Borosilicate Glass to DIN 7080 / DIN 7079

Advantages

- Reliability against total failure – the possibility of sudden unexpected rupture is totally excluded
- High resistance to bending and over-tightening offers simple and fast installation with no risk of breakage
- Extreme resistance to impact, pressure and Temperature
- Reusable in the same or other applications – conventional Glass is not
- Wide acceptance in the European & American chemical industries

Operating conditions

Temperature: -60°C to +300°C
 Pressure: Up to 64 bar (TÜV)
 Higher pressures possible

DN	Diameter		Maximum Pressure				
	d1	d2	10 bar	16 bar	25 bar	40 bar	64 bar
DIN 28120			S	S	S	S	S
	45	25	10	10	10	10	15
	60	35	10	10	12	15	18
25 ¹	63	35	10	10	12	15	20
40 ¹	80	45	10	12	15	20	22
50 ¹	100	55	12	15	20	25	28
80 ¹	125	65	15	20	25	25	30
100 ¹	150	70	20	25	30	30	32
125 ¹	175	80	20	25	30	30	35
150 ¹	200	100	25	30	30	35	40
200	250	120	30	30	35	40	–

*Approved dimensions and materials see www.metaglas.com