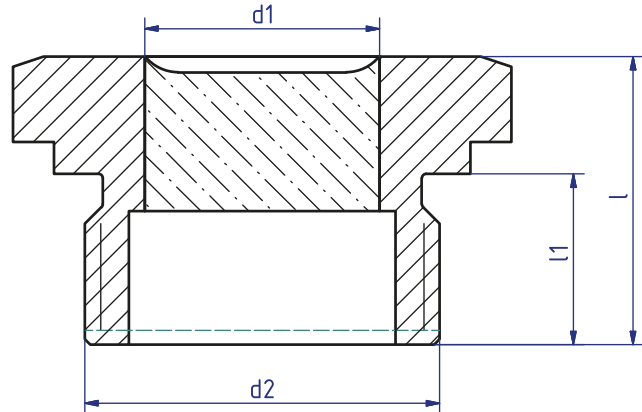


METAGLAS® Threaded sight glass – hexagon head



Applications

- Female connection with metric or Whit- worth thread

Advantages

- Very compact
- High pressure resistance
- Simple assembly
- Long service life

Operating conditions

- Pressure: 50 bar
- Temperature: See table

Glass quality	Maximum temperature (TS)
Borosilikatglas	+280°C
AR-Glas	+150°C

Approvals and technical data

- Pressure Equipment Directive 2014/68/EU, Module H (DIN/EN/ISO 9001)
- AD 2000 Standards W0/TRD 100
- Sight glass fused to metal conforming to DIN 7079
- Materials to VdTÜV specifications and the DIN/ EN designated standards

Material certificates

- Certificate of Conformity to EN 10204-3.1 or 3.2

Materials

- Ring material: carbon steel (S355J2+N), stainless steel (1.4462) or Hastelloy C22
- Glass: borosilicate to DIN7080 / DIN7079

Dimensions to DIN 3852

- Type F (sealing with O-ring)

d2 (Thread)		SW	d1	d3	l	l1 O-ring	
M-Thread	R-Thread						
M18 x 1,5		24	12,5	24	18	12	15,3 x 2,4
	G ³ / ₈ "	24	12	24	18	12	14,3 x 2,4
M20 x 1,5		27	13	27	18	12	17,3 x 2,4
	G ¹ / ₂ "	27	13	27	19	12	18,0 x 2,4
M26 x 1,5		32	16	32	23	15	22,0 x 3,0
M27 x 2	G ³ / ₄ "	32	16	32	25	14	24,0 x 3,0
M33 x 2		41	22	41	25	16	30,0 x 3,0
	G1"	41	22	41	25	16	30,0 x 3,0
M42 x 2		50	26	50	27	18	38,0 x 3,0
	G1 ¹ / ₄ "	50	25	50	27	18	38,0 x 3,0
M48 x 2		55	28	55	33	22	44,0 x 3,0
	G1 ¹ / ₂ "	55	28	55	33	22	44,0 x 3,0
M60 x 2		70	35	70	37	19	56,0 x 3,0
	G2"	70	35	70	37	19	56,0 x 3,0
M78 x 2		90	50	88	37	22,5	75,0 x 3,0
	G2 ¹ / ₂ "	90	50	88	37	22,5	70,0 x 3,0