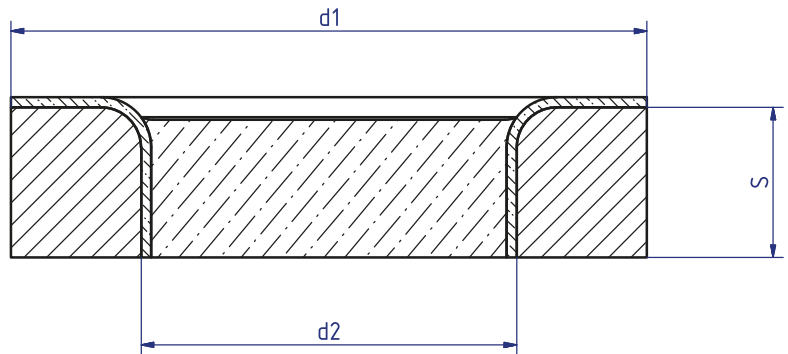
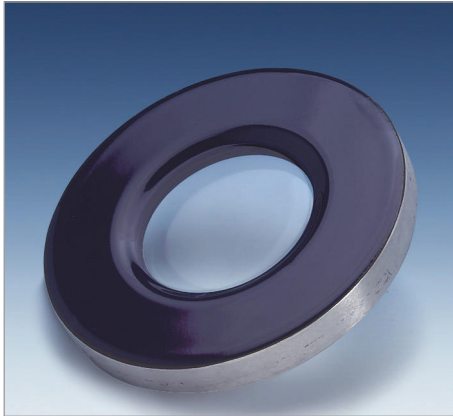


METAGLAS® Enamelled fused sight glass discs



**Applications**

- Enamelled vessels
- Sight glass fittings to DIN 28121
- Through flow sight glasses to DIN 3236, DIN 3237

**Advantages**

- Enamelled METAGLAS® sight glasses combine the security of failsafe fused glass with the excellent characteristics of a glass surface

**Advantages of enamelled sight glasses are:**

- The product only has contact with polished glass
- Highly resistant to corrosive processes
- Inert surface so cannot adversely affect product purity
- No catalyst effect and no infection
- Resists build-up of sticky products which gives: better heat transfer and higher productivity

**Approvals and technical data**

- Pressure Equipment Directive 2014/68/EU, Module H/H1 (DIN/EN/ISO 9001)
- AD2000 Standards W0/TRD 100
- Sight glass fused to metal similar to DIN 7079
- Materials to VdTÜV-specifications and the DIN/EN designated standard

**Safety**

- Leak-tight with very high pressure resistance
- High safety factor
- Shatterproof with reliability against total failure - the possibility of unexpected rupture is excluded
- High resistance to bending and over-tightening offers simple, fast installation with no risk of breakage
- Remains leak-tight even when glass is damaged

**Ring material**

- P 265 GH ( 1.0425) EN 10028-2
- Sight glass: B270 / 0092
- Enamel DD 3009 blue or white

**Approvals**

- TÜV-approval in accordance with governing standards (for pressure vessels)

**Operating temperature:**

- -60°C to 250°C

Nominal size		Max. operating pressure (PS) -1/10 bar			Max. operating pressure (PS) -1/16 bar		
DN	Inch	d1	d2	S	d1	d2	S
50	–	102	50	20	102	50	20
–	–	127	75	23	127	75	28
80	3"	137	80	25	137	80	30
100	–	158	95	30	158	95	33
150	–	214	130	35	214	130	40
200	–	269	150	40	269	150	45