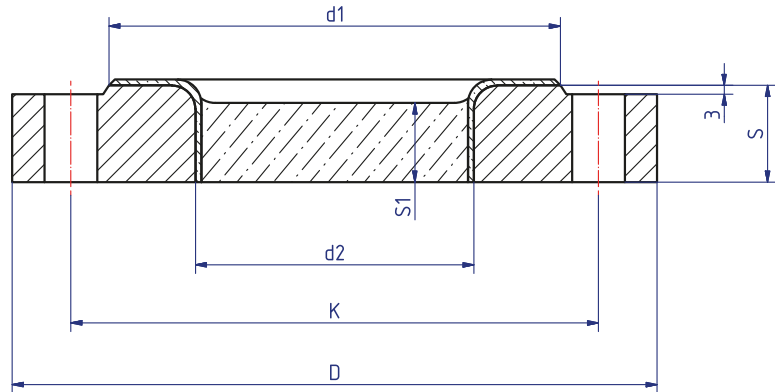


**METAGLAS® Enamelled fused sight glass flange (Connection to DIN 2501 or ANSI B16.5)**



**Applications**

- Enamelled vessels
- Connection to DIN 2501 or ANSI B16.5
- Sight flow indicators to DIN 3236, 3237

**Advantages**

- Enamelled fused METAGLAS® sight glasses combine the security of failsafe fused glass with the excellent characteristics of a glass surface

**Advantages of enamelled sight glasses are:**

- Highly resistant to corrosive processes
- Inert surface so cannot adversely affect product purity
- No catalyst effect and no infection
- Non-adhesive: polymerisation processes
- The product only has contact with polished glass

**Approvals and technical data**

- Pressure Equipment Directive 2014/68/EU, Module H (DIN/EN/ISO 9001)
- AD2000 Standards W0/TRD 100
- Sight glass fused to metal conforming to DIN 7079
- Materials to VdTÜV specifications and the DIN/EN designated standards

**Safety**

- Leak-free, high pressure resistant
- High safety factor, no total failure, tightness will remain if cracks occur

**Materials**

- Material: 1.0425 (P265 GH),
- Glass: B270
- Enamel: DD 3009 blue or white, E800

**Operating temperature**

- -60°C / +250°C

Nominal size	D	K	d1	d2	Max. operating pressure (PS) -1/10 bar			Max. operating pressure (PS) -1/16 bar			
					S1	S	nxd	S1	S	nxd	
DN Inch											
50 -	165	125	102	50	15	20	4 x 18	18	23	4 x 18	
- 2"-150"	152,4	120,6	102	50	15	20	4 x 19	-	-	-	
- 2"-300"	165	127	102	50	-	-	-	18	23	8 x 19	
- 3"-150"	190,5	152,4	127	75	18	23	4 x 19	-	-	-	
- 3"-300"	209,5	168,3	127	80	-	-	-	23	28	8 x 22,2	
80 -	200	160	137	80	20	25	8 x 18	25	30	8 x 18	
100 -	220	180	158	95	25	30	8 x 18	28	33	8 x 18	
- 4"-150"	228,6	190,5	158	95	25	30	8 x 19	-	-	-	
- 4"-300"	254	200	158	95	-	-	-	30	35	8 x 22,2	
150 6"-150"	285	240	214	130	30	35	8 x 22	35	40	8 x 22	
- 6"-300"	317,5	269,9	214	130	-	-	-	40	45	12 x 22,2	
200 -	340	295	269	150	35	40	8 x 22	40	45	12 x 22	
- 8"-150"	342,9	298,4	269	150	35	40	8 x 22,2	-	-	-	
- 8"-300"	381	330,2	269	150	-	-	-	40	45	12 x 25,4	