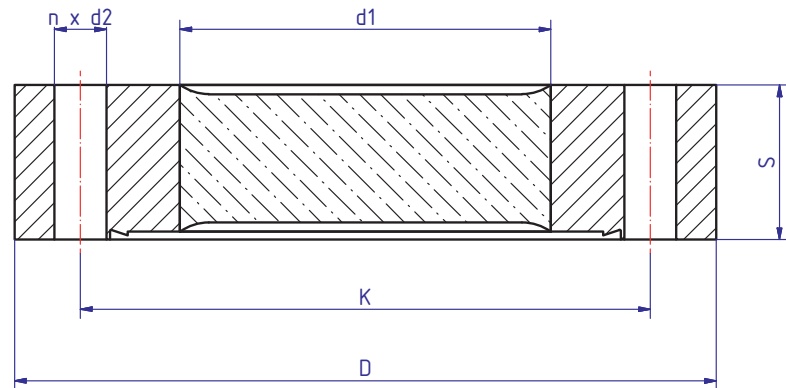
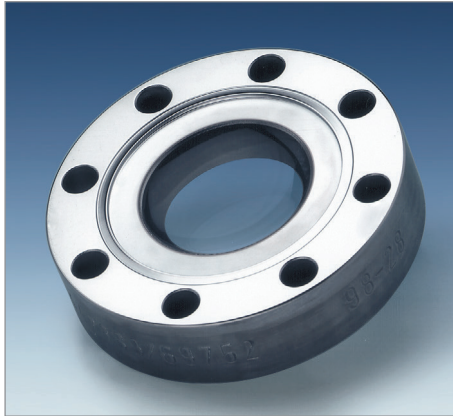


METAGLAS® ConFlat Sight Glasses



Applications

- ConFlat connections ISO 3699
- Ultra high vacuum

Advantages

- Compact construction
- Suitable for high vacuum and pressure
- Security against total failure
- Easy, instruction free installation
- Long working time

Ring

materials	Temperature (TS)
1.4462	-30°C bis +280°C
2.4602	-60°C bis +300°C
2.4610	-60°C bis +300°C

Technical data Manufactured and tested to:

- Directive for pressure equipment 2014/68/EU, Module H (DIN/EN/ISO 9001)
- AD2000 Standards W0/TRD 100
- Sight glass fused to metal conforming to DIN 7079
- Materials to VdTÜV specifications and the DIN/EN designated standards
- Glass: Borosilicate to DIN 7080 / DIN 7079

Material certificates

- Certificate of Conformity EN 10204 – 3.1 or 3.2 for extra costs

Operating conditions

- Temperature: see table

DN	D	d1	K	S	d2	n
16 CF	34	16,5	27,0	15	4,3	6
40 CF	70	35	58,7	20	7	6
63 CF	113	60	92,2	25	8,4	8
100 CF	152	70	130,3	33	8,4	16
160 CF	202	90	181,0	35	8,4	20
200 CF	253	120	231,8	35	8,4	24