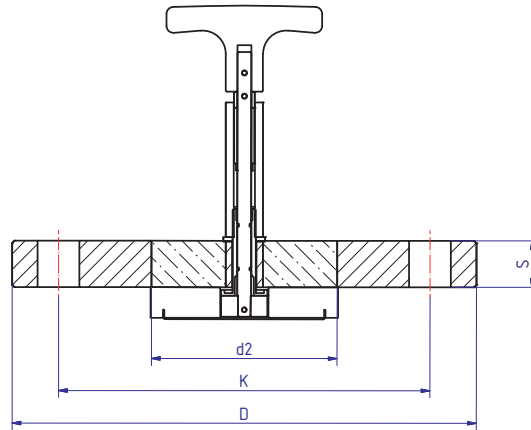
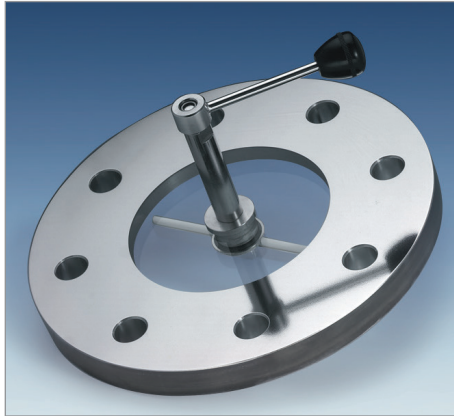


METAGLAS® Sight glass Flange – Connection to DIN 2501 – for Wiper



Applications

Flat face mating flange

Advantages

- **Reliability against total failure.**
- The possibility of unexpected rupture is excluded
- Long working time
- Smooth easy clean surface
- Maximum viewing
- Minimum design height
- Possible to combine with Luminaire

Technical data Manufactured and tested to:

- Directive for pressure equipment 2014/68/EU, Module H (DIN/EN/ISO 9001)
- AD2000 Standards W0/TRD 100
- Sight glass fused to metal conforming to DIN 7079
- Materials to VdTÜV specifications and the DIN/EN designated standards
- PN10 to PN16, higher pressures on request
- Glass: Borosilicate to DIN 7080 / DIN 7079
- Fused Bush: 1.3912 (Alloy 36)

Material certificates

- Certificate of Conformity to EN 10204-3.1 or 3.2

Accessories

- Wiper
- Contact metal parts stainless steel V4A
- Wiper blade: Silicone rubber or PTFE
- O-Ring: Viton, EPDM

Important

Requires parallel flat face mounting flange and full gasket

Ring materials	Temperature (TS)
S355J2+N	-10°C bis +150°C
1.4462	-30°C bis +150°C
2.4602	-60°C bis +150°C
2.4605	-60°C bis +150°C
2.4610	-60°C bis +150°C

Flange					Glass	Mounting holes			Gasket
NW	PN	D	K	S	d2	n	Thread	d	
40	10	150	110	16	50	4	M16	18	150 x 70 x 2
50	10	165	125	18	60	4	M16	18	165 x 85 x 2
65	10	185	145	18	70	4	M16	18	185 x 105 x 2
80	10	200	160	20	80	8	M16	18	200 x 120 x 2
100	10	220	180	20	100	8	M16	18	220 x 140 x 2
125	10	250	210	22	125	8	M16	18	250 x 170 x 2
150	10	285	240	25	140	8	M20	22	285 x 195 x 2
200	10	340	295	30	160	8	M20	22	340 x 250 x 2